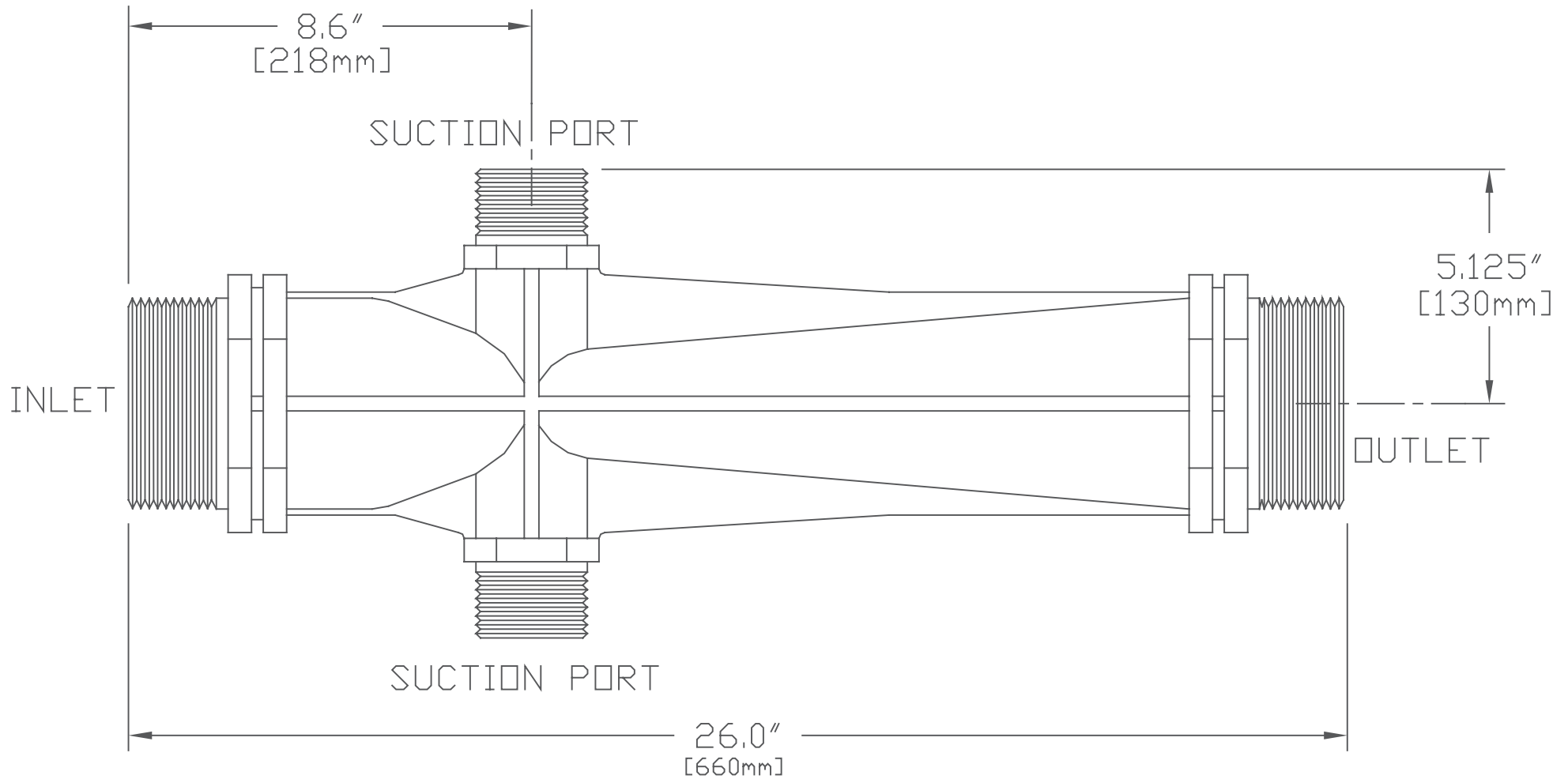


NOTES:

1. INLET AND OUTLET: 4" MNPT OR 4" BSPT (ISO-R)
2. DUAL SUCTION PORTS: 2" MNPT OR 2" BSPT (ISO-R)
3. MAXIMUM TEMPERATURE RATING: 200 F. (93.3 C.)
4. MAXIMUM PRESSURE RATING: 130 PSIG (9.0 BAR), WITHOUT REINFORCEMENT
5. MAXIMUM PRESSURE RATING: 190 PSIG (13.1 BAR), WITH REINFORCEMENT PACKAGE
6. MATERIAL OF CONSTRUCTION: PVDF (KYNAR)



Mazzei Injector Co. products are manufactured and sold under one or more of the following U.S. Patents: 6,193,893; 6,173,526; 5,951,922; 5,894,995; 5,863,128; 5,674,312; 5,338,341; 4,917,304; 4,123,800 and corresponding foreign patents. Other U.S. and foreign patents pending.



Mazzei Injector Company, LLC  
 500 Rooster Drive, Bakersfield, CA 93307  
 Tel: 661.363.6500 Fax: 661.363.7500

DATE	12-14-00	TITLE	
DRAWN BY	JRM	INJECTOR MODEL 4091	
REVISED	6-28-02	NUMBER	JRM-1
REVISED BY	JRM	SIZE	REV.
SCALE	NONE	MATERIAL	SEE NOTES
		PAGE 1 OF 1	